

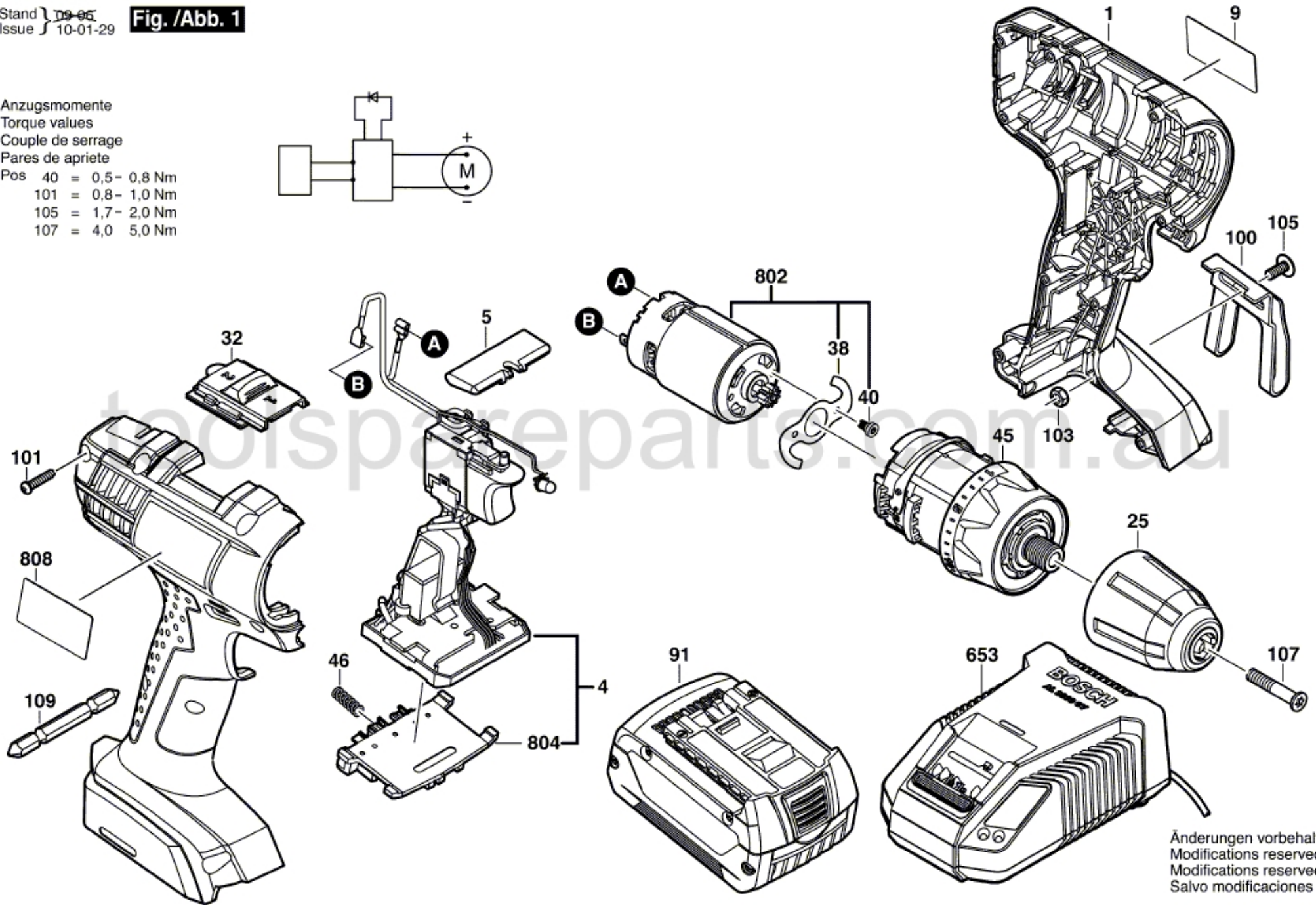
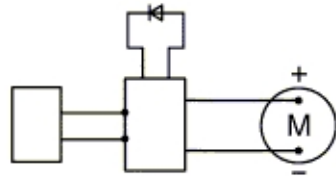
3 601 JA4 300

Stand } 09-06  
Issue } 10-01-29

**Fig. /Abb. 1**

Anzugsmomente  
Torque values  
Couple de serrage  
Pares de apriete

Pos 40 = 0,5- 0,8 Nm  
101 = 0,8- 1,0 Nm  
105 = 1,7- 2,0 Nm  
107 = 4,0 5,0 Nm



Änderungen vorbehalten  
Modifications reserved  
Modificacions reserves  
Salvo modificaciones